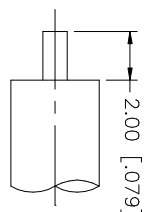
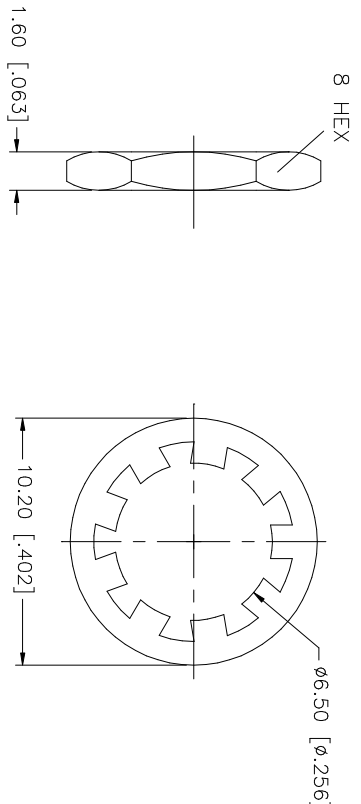
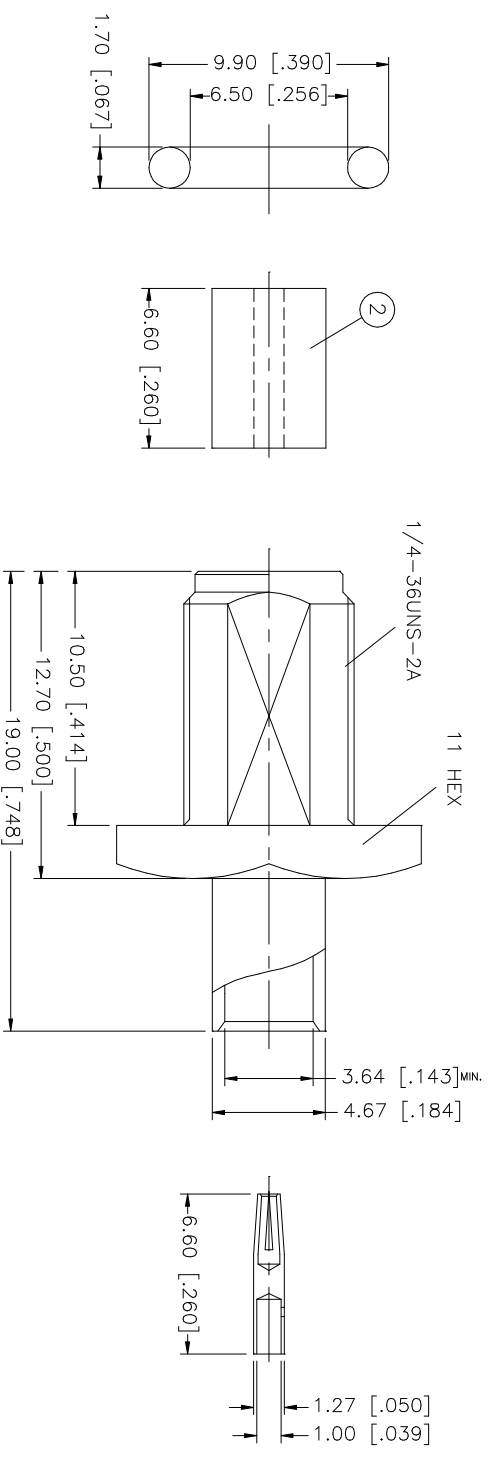


REV.	DATE	DESCRIPTION
B	01/12/98	ADD INSULATOR/ STRIPPING DIM'S
C	02/11/99	MODIFY 'O'-RING DIMENSIONS
D	05/22/03	UPDATE DRAWING FORMAT



RECOMMENDED CABLE STRIPPING DIMS.

- NOTE:
1. CONTACT PIN TO SOLDER
 2. MAX. PANEL THICKNESS = 2.4mm

UNLESS OTHERWISE SPECIFIED DIMENSIONS ARE IN MILLIMETERS. DIMENSIONS IN [] ARE IN INCHES AND FOR CUSTOMER REFERENCE ONLY. TOLERANCES FOR MILLIMETERS ARE:	UNLESS OTHERWISE SPECIFIED DIMENSIONS ARE IN MILLIMETERS. DIMENSIONS IN [] ARE IN INCHES AND FOR CUSTOMER REFERENCE ONLY. TOLERANCES FOR MILLIMETERS ARE:	UNLESS OTHERWISE SPECIFIED DIMENSIONS ARE IN MILLIMETERS. DIMENSIONS IN [] ARE IN INCHES AND FOR CUSTOMER REFERENCE ONLY. TOLERANCES FOR MILLIMETERS ARE:
0.5 - 8mm ± 0.20mm	0.5 - 8mm ± 0.20mm	0.5 - 8mm ± 0.20mm
8 - 30mm ± 0.40mm	8 - 30mm ± 0.40mm	8 - 30mm ± 0.40mm
30 - 120mm ± 0.50mm	30 - 120mm ± 0.50mm	30 - 120mm ± 0.50mm
UNLESS OTHERWISE SPECIFIED TOLERANCES FOR INCHES ARE:	UNLESS OTHERWISE SPECIFIED TOLERANCES FOR INCHES ARE:	UNLESS OTHERWISE SPECIFIED TOLERANCES FOR INCHES ARE:
.020 - .315 = ± 0.007"	.020 - .315 = ± 0.007"	.020 - .315 = ± 0.007"
.315 - 1.180 = ± 0.015"	.315 - 1.180 = ± 0.015"	.315 - 1.180 = ± 0.015"
1.180 - 4.724 = ± 0.020"	1.180 - 4.724 = ± 0.020"	1.180 - 4.724 = ± 0.020"
8		
7		
6	FERRULE	BASS
5	LOCK WASHER	BASS
4	GASKET	SILICONE
3	CONTACT PIN	BER; COPPER
2	INSULATOR	TEFLON
1	BODY	BASS
	DESCRIPTION	MATERIAL
		FINISH
		QTY
	DO NOT SCALE DRAWING	
	APPROVALS	DATE
	DRAWN G.R.S.	05/22/03
	CHECKED	
	ISSUED	
	SHEET 1 OF 1	
	CAD FILE C:/132/132106.DWG	DWG. NO. 132106.DWG
		REV. D
		SIZE A
		SCALE NA
	PART DESCRIPTION	
	SMA DIRECT SOLDER BULKHEAD JACK (FOR .141" SEMI-RIGID CABLE)	
	PART NO. 132106	

Amphenol Connex